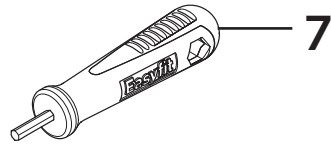
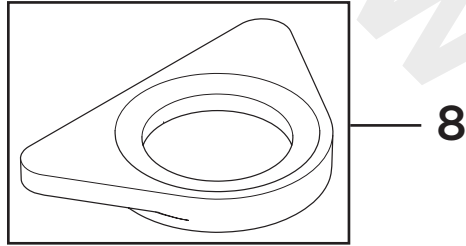
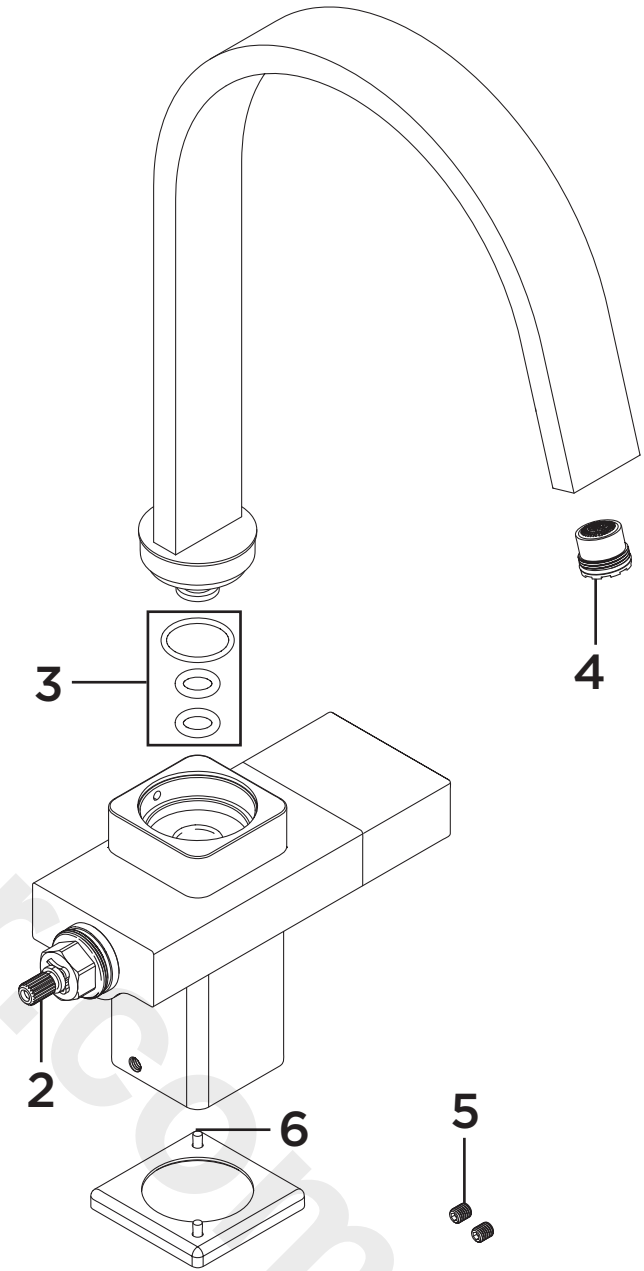
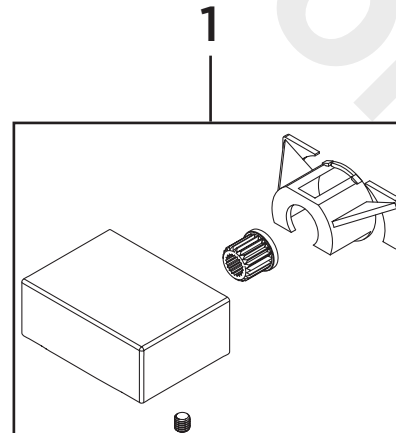


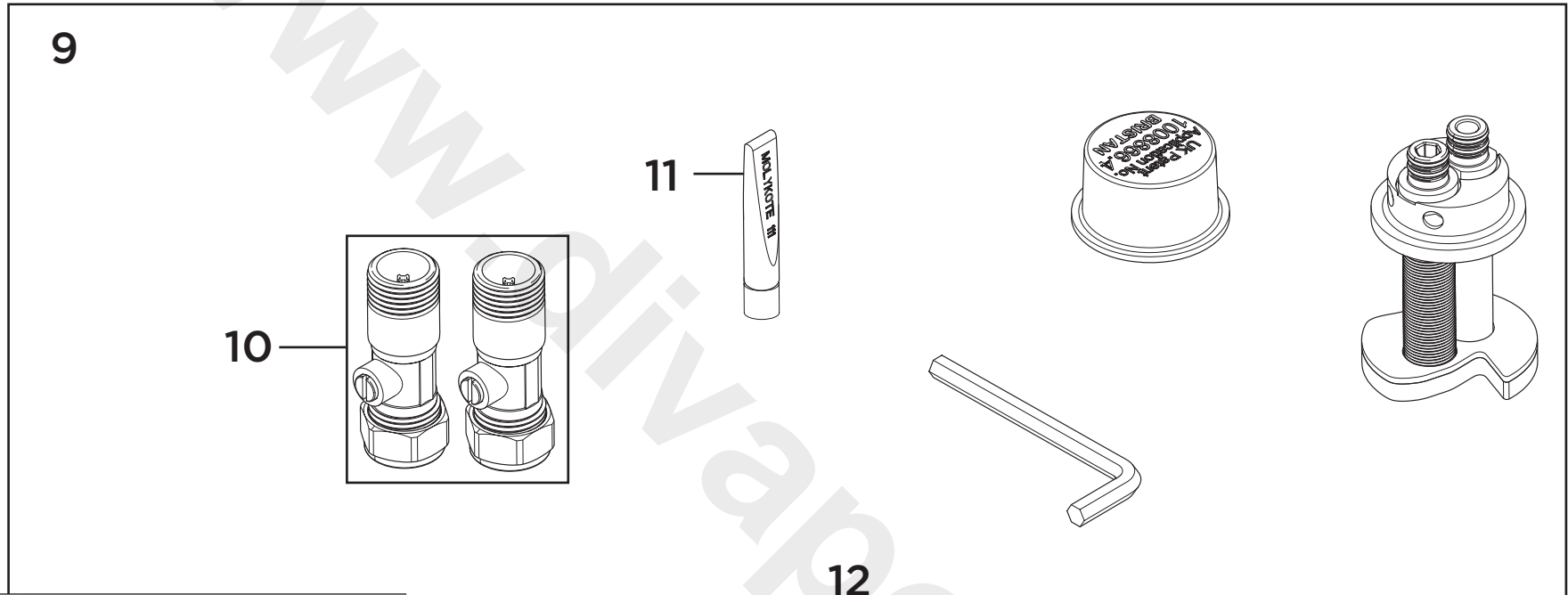
**Product Code:** CHO EFSNK C-BN  
**Revision:** D2



1	Handle Assembly
2	1/2" Ceramic Disc Valves
3	Spout Seals Kit
4	Anti-Splash
5	M5x8 Screws (Pair)
6	Plinth
7	EasyFit Tool
8	Reinforcing Plate & Washer
9	EasyFit Pack
10	Isolation Valves (Pair)
11	Molykote Grease
12	1/2" BSP Flexible Tails (Pair)



**Product Code:** CHO EFSNK C-BN  
**Revision:** D2



1	Handle Assembly
2	1/2" Ceramic Disc Valves
3	Spout Seals Kit
4	Anti-Splash
5	M5x8 Screws (Pair)
6	Plinth
7	EasyFit Tool
8	Reinforcing Plate & Washer
9	EasyFit Pack
10	Isolation Valves (Pair)
11	Molykote Grease
12	1/2" BSP Flexible Tails (Pair)

